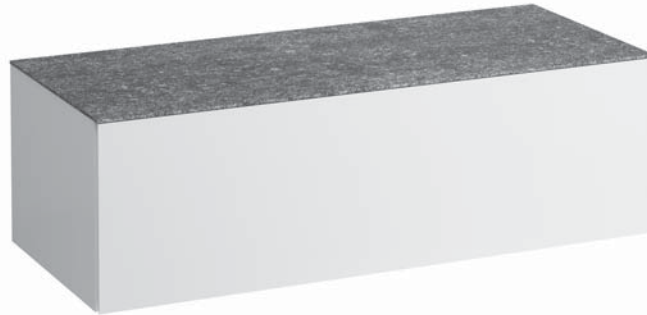


Drawer element without cut-out

430300

431300

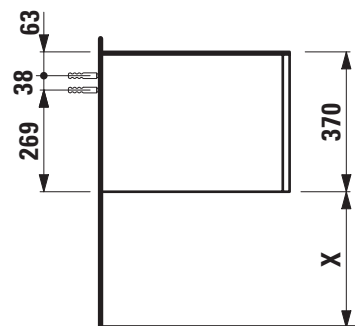
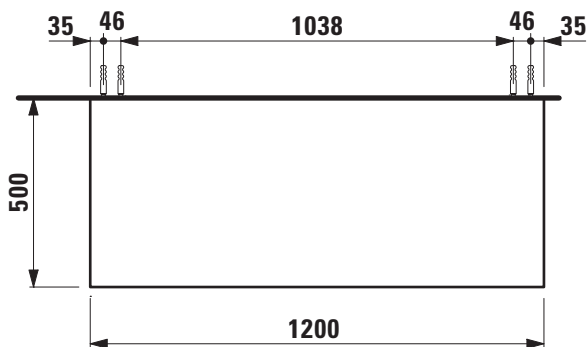
432300



TECHNICAL DATA

Order no.	430300 / Top in body colour 431300 / Top Calce Avorio 432300 / Top Marrone Naturale	Accessories incl.	Drawer mat, antimicrobial rubber, anthracite, noise absorbing and anti-slip, order no. 492399 Drawer organizer, smoked glass, order no. 492592
Dimensions (WxHxD)	1200 x 370 x 500 mm	Mounting acc. incl.	Installation set for furniture, order no. 492392
Specification	Body/Front – 18 mm MDF panels matt lacquered or 18 mm particle board with real wood veneer (only 250 – Light oak, 630 – Noce canaletto) Interior melamine anthracite Top – made of 6 mm resistant HPL with laminate (only 269 – Terracotta, 270 – Pearlbeige, 429 – Darkbrown) or 6 mm ceramic stoneware Integrated handle at the left and right side 1 full extension drawer, anthracite (soft-close mechanism), incl. drawer mat antimicrobial rubber and drawer organizer smoked glass	Mounting information	The walls installed on must meet the requirements of the furniture in terms of weight and the supplied fastening elements. If this cannot be guaranteed another method of installation needs to be chosen.
Weight	269, 270, 429 – 43.5 kg 250, 630 – 46,0 kg 260, 990, 999 – 48,0 kg	Colours Body/Front	Top in body colour (HPL laminated) 269 – Terracotta 270 – Pearlbeige 429 – Darkbrown Top Calce Avorio or Marrone Naturale (ceramic) 250 – Light oak, surface real wood veneer 260 – White matt 630 – Noce canaletto, surface real wood veneer 990 – Specialcolor lacquered selection 999 – Multicolor lacquered selection

TECHNICAL DRAWINGS / S 1 : 20



X = The exact height must be set during installation.