

SET LAUFEN PRO S

Shower tray with linear outlet

MARBOND

rectangular

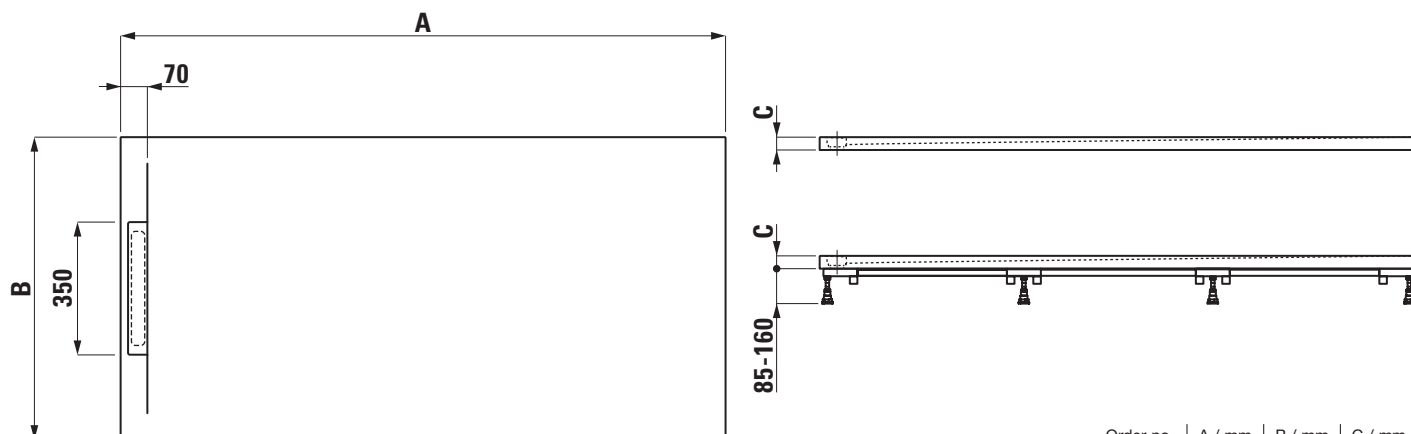
21118.4 / 21118.5
21018.4 / 21018.9



TECHNICAL DATA

Order no.	21118.4, 21118.5 / 1500 mm 21018.4, 21018.9 / 1600 mm	Mounting acc. excl.	3-D sealing tape: Sealing set 3,0 m, for sealed sides \leq 3 m, includes 1 sealing tape (width 120 mm, length 3 m), 3-D inside corner for sealing (1 piece) and 2x 3 m antinoise tape (width 30 mm), order no. 29564.2 Additional sealing set 2,0 m, for sealed sides \geq 3 m, order no. 29564.7 3-D sealing corners: Inside corner, 1 piece, order no. 29564.3 Outside corner for floor-even installation, set 3 parts, order no. 29564.4 Dispersion sealing composition, tube 500 ml, order no. 29564.5 Noise control band, order no. 29555.1
Certified to	EN 14257, EN 251	Otherwise	For customised Marbond shower trays order no. 21118.7 please use the order form.
Dimensions	see table below	Colours	000 – White matt structured, 078 – Anthracite matt structured, 079 – Concrete matt structured
Depth	see table below		
Specification	Rectangular shower tray made of Marbond (Gel Coat surface matt, with structure) with Antislip, Class C (DIN 51097) Removable siphon cover, Marbond For floor-even installation or on floor installation		
Weight	21118.4 – 64,6 kg / 21118.5 – 71,5 kg 21018.4 – 71,6 kg / 21018.9 – 80,5 kg		
Mounting acc. excl.	Linear siphon for Laufen Pro S shower trays with water trap height of 30 mm, right, order no. 29018.2 Installation frame, adjustable height between 85-160 mm, order no. 29844.2 Antinoise set for the frame installation to fulfil DIN 4109 and SIA 181, order no. 29898.9		

TECHNICAL DRAWINGS / S 1 : 20



Order no.	A / mm	B / mm	C / mm
21118.4	1500	800	34
21118.5	1500	900	34
21018.4	1600	800	34
21018.9	1600	900	34