

## Shower tray MARBOND rectangular

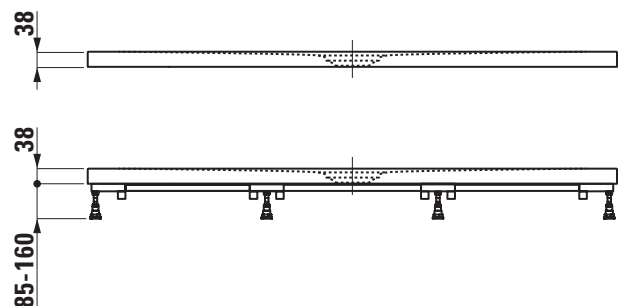
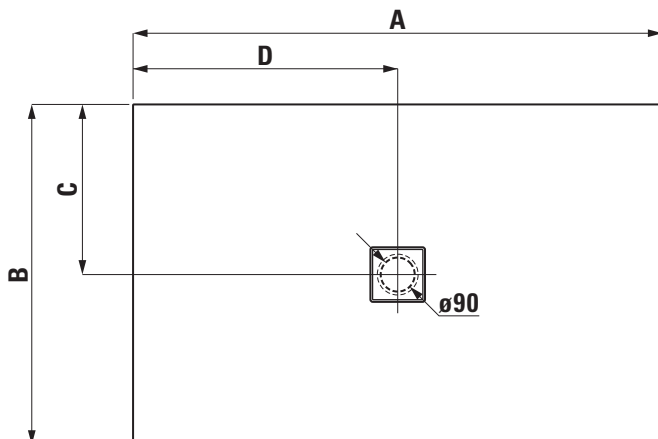
21344.4  
21544.5  
21344.6  
21544.6



### TECHNICAL DATA

Order no.	21344.4, 21544.5 / 1400 mm 21344.6, 21544.6 / 1600 mm	Mounting acc. excl.	Installation frame, adjustable height between 83-160 mm, order no. 29844.2 Antinoise set for the frame installation, order no. 29898.9 3-D sealing tape: Sealing set 3,0 m, for sealed sides $\leq$ 3 m, includes 1 sealing tape (width 120 mm, length 3 m), 3-D inside corner for sealing (1 piece) and 2x 3 m antinoise tape (width 30 mm), order no. 29564.2 Additional sealing set 2,0 m, for sealed sides $\geq$ 3 m, order no. 29564.7 3-D sealing corners: Inside corner, 1 piece, order no. 29564.3 Outside corner for floor-even installation, set 3 parts, order no. 29564.4 Dispersion sealing composition, tube 500 ml, order no. 29564.5 Noise control band, order no. 29555.1
Certified to	EN 14257, EN 251	Otherwise	For customised Marbond shower trays order no. 21644.0 please use the order form.
Dimensions	see table below	Colours	000 – White, 035 – Sand
Depth	38 mm		
Specification	Rectangular shower tray made of Marbond (Gel Coat surface) with Antislip, Class C (DIN 51097) Removable siphon cover For floor-even installation or on floor installation		
Weight	21344.4 – 48,0 kg / 21544.5 – 67,5 kg 21344.6 – 62,0 kg / 21544.6 – 74,0 kg		
Mounting acc. excl.	Mounting box type DN 50, height 100 mm incl. waste, $\varnothing$ 90 mm without cover (pre-assembled) left, order no. 29004.3, right, order no. 29004.4 Mounting box type DN 40, height 75 mm incl. waste, $\varnothing$ 90 mm without cover (pre-assembled) left, order no. 29003.3, right, order no. 29003.4  Waste DN 50, $\varnothing$ 90 mm without cover, order no. 29512.7 Mounting box type DN 50, height 100 mm, left, order no. 29004.1, right, order no. 29004.2 Mounting box type DN 40, height 75 mm, left, order no. 29003.1, right, order no. 29003.2		

### TECHNICAL DRAWINGS / S 1 : 20



Order no.	A / mm	B / mm	C / mm	D / mm
21344.4	1400	800	400	700
21544.5	1400	900	450	700
21344.6	1600	800	400	800
21544.6	1600	900	450	800