

## Shower tray MARBOND square

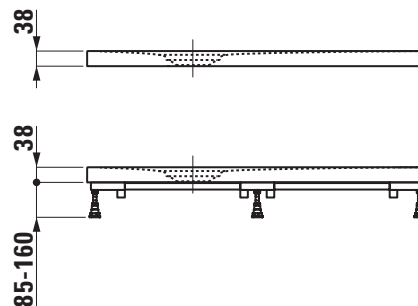
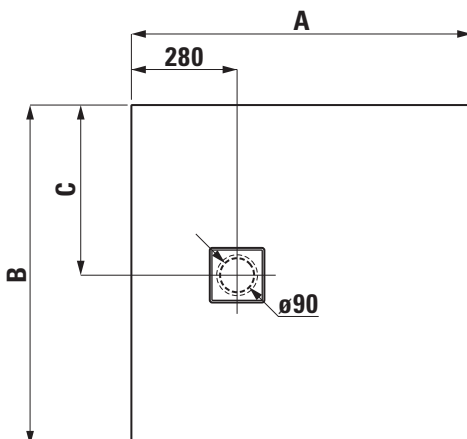
21344.0  
21544.2  
21644.1



### TECHNICAL DATA

|                     |   |                     |  |
|---------------------|---|---------------------|--|
| Order no.           | 21344.0 / 800 mm<br>21544.2 / 900 mm<br>21644.1 / 1000 mm   | Mounting acc. excl. | Installation frame, adjustable height between 83-160 mm, order no. 29844.1<br>Antinoise set for the frame installation, order no. 29898.8<br>3-D sealing tape:<br>Sealing set 3,0 m, for sealed sides $\leq$ 3 m, includes 1 sealing tape (width 120 mm, length 3 m), 3-D inside corner for sealing (1 piece) and 2x 3 m antinoise tape (width 30 mm), order no. 29564.2<br>Additional sealing set 2,0 m, for sealed sides $\geq$ 3 m, order no. 29564.7<br>3-D sealing corners:<br>Inside corner, 1 piece, order no. 29564.3<br>Outside corner for floor-even installation, set 3 parts, order no. 29564.4<br>Dispersion sealing composition, tube 500 ml, order no. 29564.5<br>Noise control band, order no. 29555.1 |
| Certified to        | EN 14257, EN 251  |                     |  |
| Dimensions          | see table below   |                     |  |
| Depth               | 38 mm   |                     |  |
| Specification       | Square shower tray made of Marbond (Gel Coat surface) with Antislip, Class C (DIN 51097)<br>Removable siphon cover<br>For floor-even installation or on floor installation  |                     |  |
| Weight              | 21344.0 – 32,0 kg / 21544.2 – 44,0 kg<br>21644.1 – 51,0 kg  |                     |  |
| Mounting acc. excl. | Mounting box type DN 50, height 100 mm incl. waste, $\varnothing$ 90 mm without cover (pre-assembled) left, order no. 29004.3, right, order no. 29004.4<br>Mounting box type DN 40, height 75 mm incl. waste, $\varnothing$ 90 mm without cover (pre-assembled) left, order no. 29003.3, right, order no. 29003.4<br><br>Waste DN 50, $\varnothing$ 90 mm without cover, order no. 29512.7<br>Mounting box type DN 50, height 100 mm, left, order no. 29004.1, right, order no. 29004.2<br>Mounting box type DN 40, height 75 mm, left, order no. 29003.1, right, order no. 29003.2 | Otherwise           | For customised Marbond shower trays order no. 21644.0 please use the order form.   |
|                     |   | Colours             | 000 – White, 035 – Sand  |

### TECHNICAL DRAWINGS / S 1 : 20



| Order no. | A / mm | B / mm | C / mm |
|-----------|--------|--------|--------|
| 21344.0   | 800    | 800    | 400    |
| 21544.2   | 900    | 900    | 450    |
| 21644.1   | 1000   | 1000   | 500    |